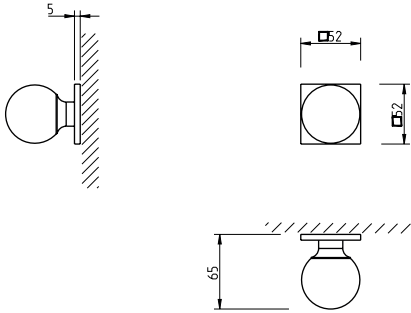


# REF. 683 5SQ Wechsel



(03)  
cromado brilhante  
bright chrome



(96)  
cromado satinado  
satin chrome



(141)  
titan  
titan



(142)  
níquelado pérola  
nickel pearl



(152)  
branco pérola  
white pearl



(153)  
preto pérola  
black pearl

## Descrição

Puxador par wechsel  
Adaptador metálico com sistema "click"  
Mola recuperadora reversível  
Ferro quadrado de 8x90mm  
Fixação da muleta com perno M6 oculto

## Description

Wechsel lever set  
Metallic mechanism with "click" system  
Reversible recovery spring  
8x90mm square spindle  
Handle fixed by a M6 grub screw

## Matéria Prima

Latão CW617N

## Raw Material

Brass CW617N

## Aplicação

Portas interiores com 30mm - 45mm espessura

## Application

Interior doors with 30mm - 45mm thick

## EN 1906

2	7	-	0	0	4	0	B
---	---	---	---	---	---	---	---

(acabamentos / finishes 03 - 152 - 153)

2	7	-	0	0	3	0	B
---	---	---	---	---	---	---	---

(acabamentos / finishes 141 - 142)

3	7	-	0	0	4	0	B
---	---	---	---	---	---	---	---

(acabamentos / finishes 96)